



**AC-500  
HOT SURFACE IGNITION & I.I.D.SPARK IGNITION  
VERTICALLY FIRED GAS CONVECTION OVEN  
REPLACEMENT PARTS LIST**



**EFFECTIVE DECEMBER 31, 2003**

**BLODGETT OVEN COMPANY**, 44 Lakeside Avenue, Burlington, Vermont 05401 USA

Telephone: (802) 860-3700 (800) 331-5842 Fax: (802) 860-3732

*www.blodgett.com*

Superseding All Previous Parts Lists.

The Company reserves the right to make substitution in the event that items specified are not available.

ERRORS: Descriptive and/or typographic errors are subject to correction.

**www.blodgett.com**

# TABLE OF CONTENTS

## SERIAL NUMBER IDENTIFICATION CODE: RC / RF / RE

### SERIAL NUMBER LOCATION / KEY:

*IMPORTANT: When ordering parts, please provide the model, gas type and serial number of the oven. The identification plate is located in the bottom of the motor compartment on the right hand side and, also, above the control panel under the ledge.*

- ASAP Distributor Required Stocking Parts
- ◆ Doors Are Not Returnable

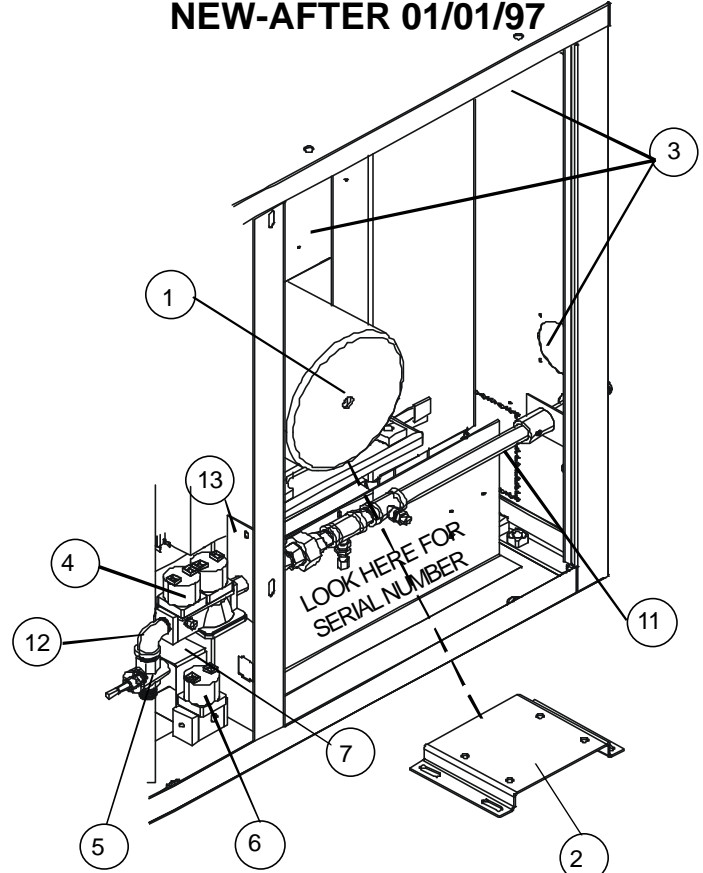
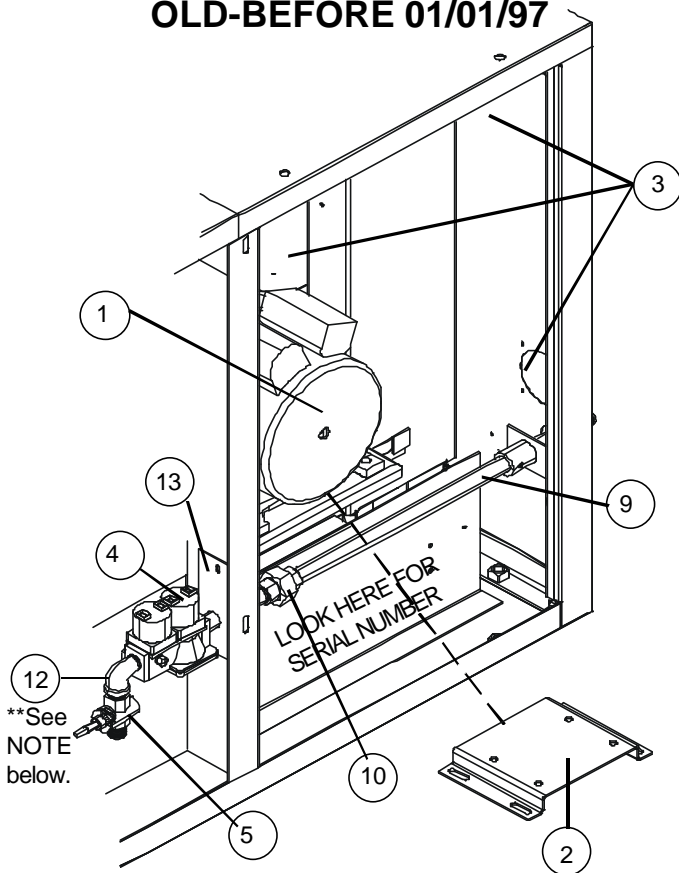
## CONTENTS

<b>SIDE VIEW .....</b>	<b>PAGE 3</b>
<b>SOLID STATE MANUAL CONTROLS .....</b>	<b>PAGE 4</b>
<b>SOLID STATE DIGITAL CONTROLS .....</b>	<b>PAGE 5</b>
<b>INTELLIPLUS CONTROLS .....</b>	<b>PAGE 6</b>
<b>CH102 FAST CONTROLS .....</b>	<b>PAGE 7</b>
<b>GAS MANIFOLD ASSY, UNITS BEFORE 11/25/98 .....</b>	<b>PAGE 8</b>
<b>GAS MANIFOLD ASSY, UNITS AFTER 11/25/98 .....</b>	<b>PAGE 9</b>
<b>INTERIOR VIEW .....</b>	<b>PAGE 10</b>
<b>DOOR COMPONENTS, SINGLE DOOR OPTION .....</b>	<b>PAGE 11</b>
<b>DOOR COMPONENTS, DOUBLE DOOR OPTION .....</b>	<b>PAGE 12</b>
<b>EXTERIOR VIEWS .....</b>	<b>PAGE 13 &amp; 14</b>
<b>EXCLUSIVE TO EXPORT .....</b>	<b>PAGE 15</b>

SIDE VIEW, RIGHT HAND

OLD-BEFORE 01/01/97

NEW-AFTER 01/01/97



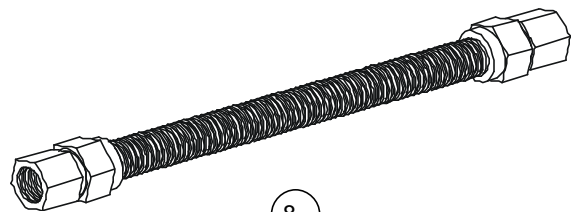
\*\*See NOTE below.

NOTE:  
Part is not depicted at actual size.

\*\*See NOTE below.

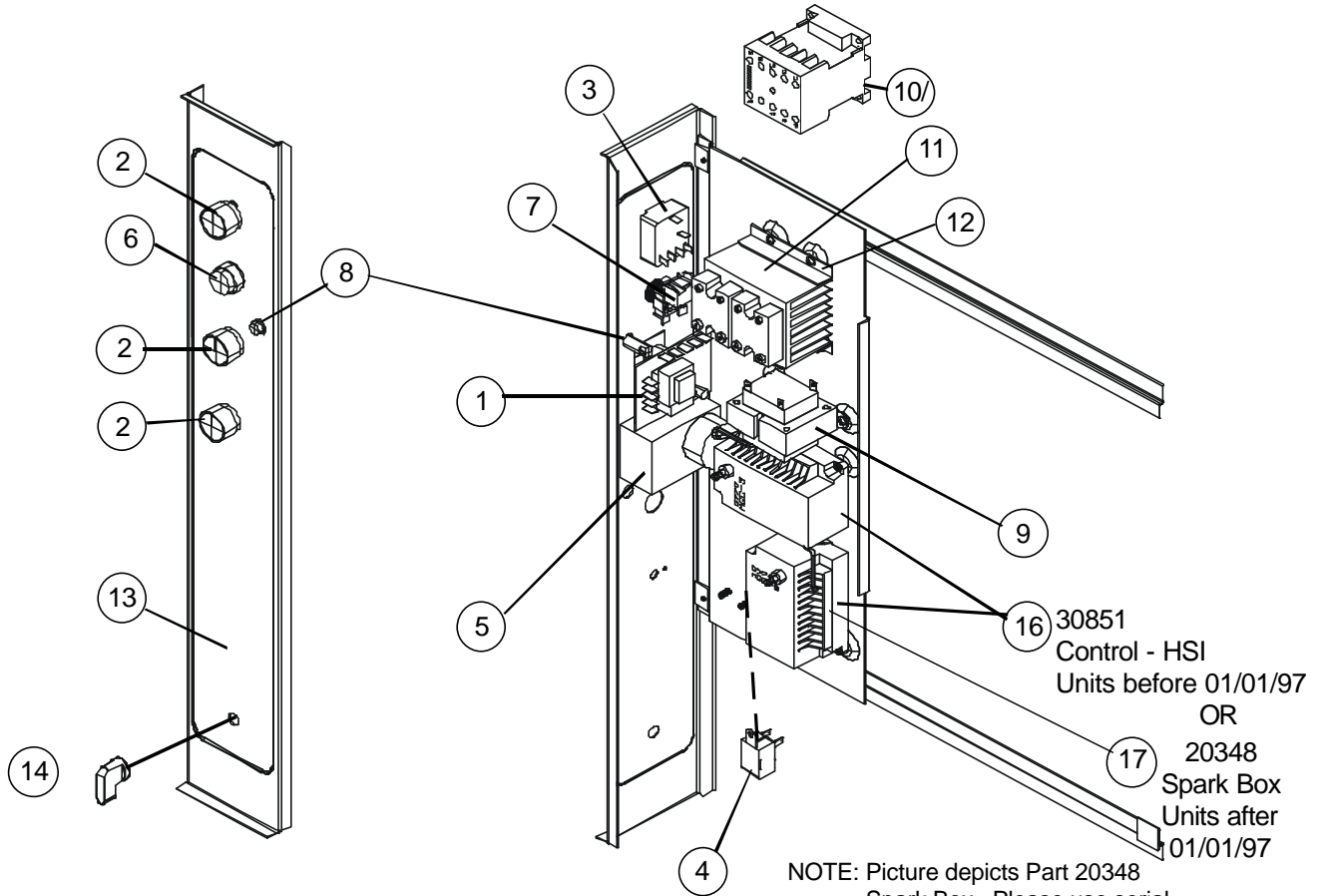
NOTE:  
Part is not depicted at actual size.

Ref. No.	Part No.	Description
1	30685	Motor, 115V, 3/4 HP, 1 PH, 2 SP, 60 HZ (Qty 1) Units before 01/01/97
	30685.H	Motor, 115V, 3/4 HP, "HOWELL"
1	34111	Motor, 115V, 3/4 HP, 1 PH, 2 SP, 60 HZ (Qty 1) Units after 01/01/97
2	31601	Motor Adapter Bracket
NOTE: For units before 01/01/97 this bracket will not fit the Howell Motor.		
	3574	Terminal Block, 65 AMP, 600V (Qty 1)
3	21134	Axial Fan, 115V, 3" (Qty 3)
	22711	Lug, Grounding & Screw (Qty 1)
	30721	Harness, Wiring Power, Rear (Qty 1)
4	22190	Dual Solenoid Valve/Pressure Regulator LP
4	M5495	Dual Solenoid Valve/Pressure Regulator NAT
	18612	Spring, Solenoid Valve, Nat to LP (Qty 1)
	23007	Spring, Solenoid Valve, LP to Nat (Qty 1)
5	R4435	Gas valve, manual
	R0364	Knob, Square D, controls manual gas valve
6	R6490	Pilot Valve, Units after 01/01/97
7	34088	Bracket, Pilot Valve, Units after 01/01/97
8	30957	Flex Hose, 1/2" ID (Gas) (Qty 1)
9	15875	Thru Pipe, Units before 01/01/97
10	3807	Union, for thru pipe Units before 01/01/97
11	30955	Thru Pipe, Units after 01/01/97
12	M0317	Elbow, 1/2"
13	30952	Mounting Plate



8  
30957  
Flex Hose  
\*\*NOTE: this piece connects on the under side of the manual gas valve.

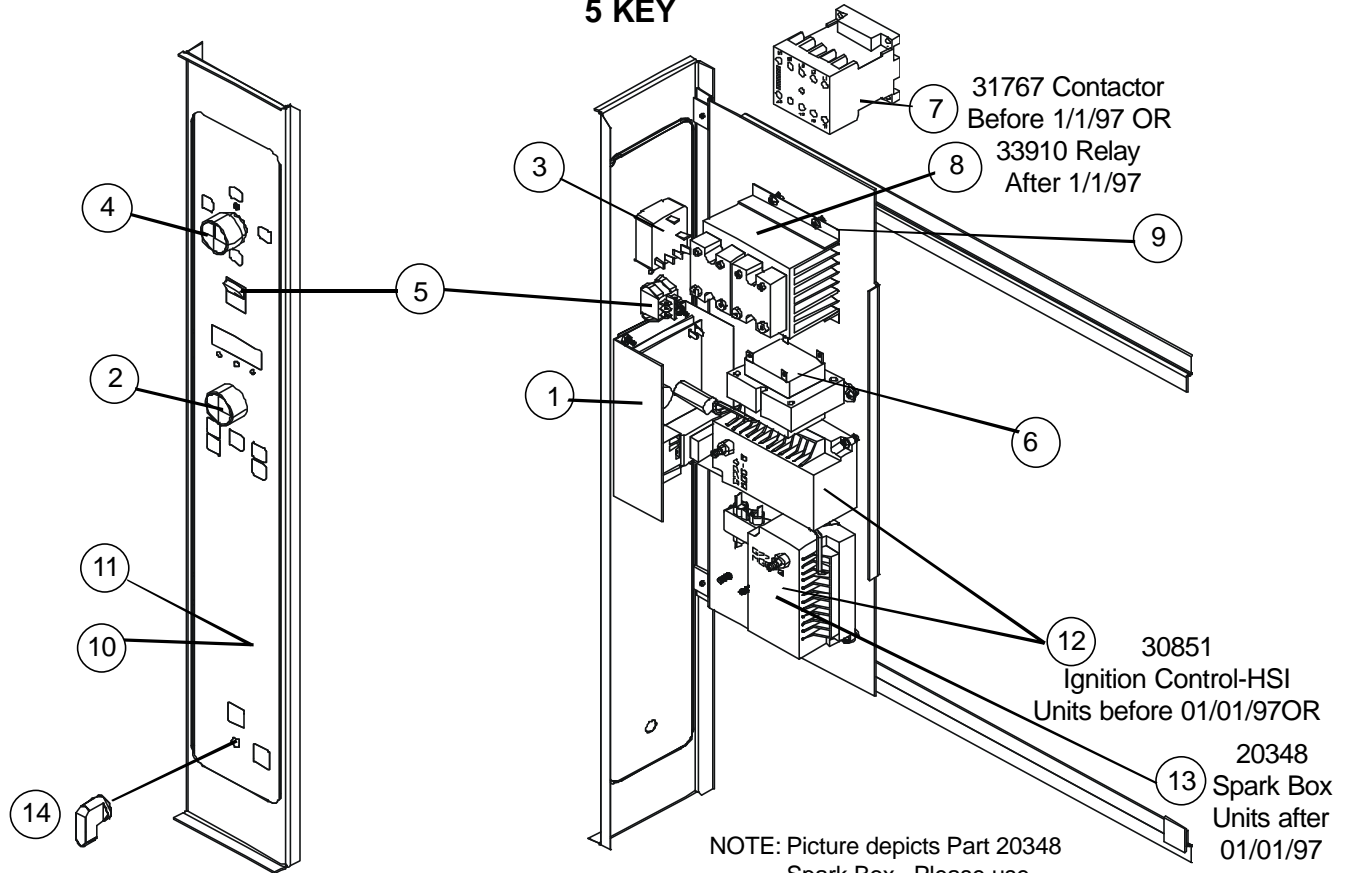
**SOLID STATE MANUAL CONTROLS**



<u>Ref. No.</u>	<u>Part No.</u>	<u>Description</u>
1	18578	Controller, Temperature (Qty 1)
	30712	Probe, Temperature (Qty 1)
	18234	Potentiometer, Remote (Qty 1)
2	24684	Knob, Temperature (Qty 1)
	31839	Bracket, Temperature Control Mounting (Qty 1)
3	21068	Mode Selector Switch (4 Position) (Qty 1)
2	24684	Knob, Mode Selector (Qty 1)
4	20349	Buzzer, 120V (Qty 1)
5	18225	Timer, 60 Minute, 120V, 60 HZ (Qty 1)
2	24684	Knob, Timer (Qty 1)
	36755	Thermal Switch SPDT, Units after 06/01/2003
6	18295	Switch, Momentary for lights (Push-Button) (Qty 1)
7	18296	Contact Block, 6 Amp., 600V (Qty 1)
8	18265	Indicator Light, 28V, Red, Round (Qty 1)
9	31274	Transformer, 120V to 24V (Units before 01/01/97 use Qty 2 and Units after 01/01/97 use Qty 1)
	31717	Suppressor Assy (Qty 1) (for 31767)
10	31767	Contact, 3 Pole, 120V Coil (Qty 1) Units before 01/01/97
11	33910	Relay Assy Units after 01/01/97
12	31363	Bracket, to mount 31767 (Qty 1)
	31846	Harness, Wiring Control (Qty 1)
13	31841	Decal, Lexan Control (Manual) (Qty 1)
14	R0364	Knob, Square D, controls manual gas valve
15	R4435	Gas Valve, manual
<b>NOTE: Gas valves are pictured on page 3</b>		
16	30851	Ignition Control, Hot Surface Ignition Units before 01/01/97
17	20348	Spark Box Units after 01/01/97

**SOLID STATE DIGITAL CONTROLS (PICTURED WITH LIGHTS)**

**5 KEY**



31767 Contactor  
Before 1/1/97 OR  
33910 Relay  
After 1/1/97

30851  
Ignition Control-HSI  
Units before 01/01/97 OR

20348  
Spark Box  
Units after  
01/01/97

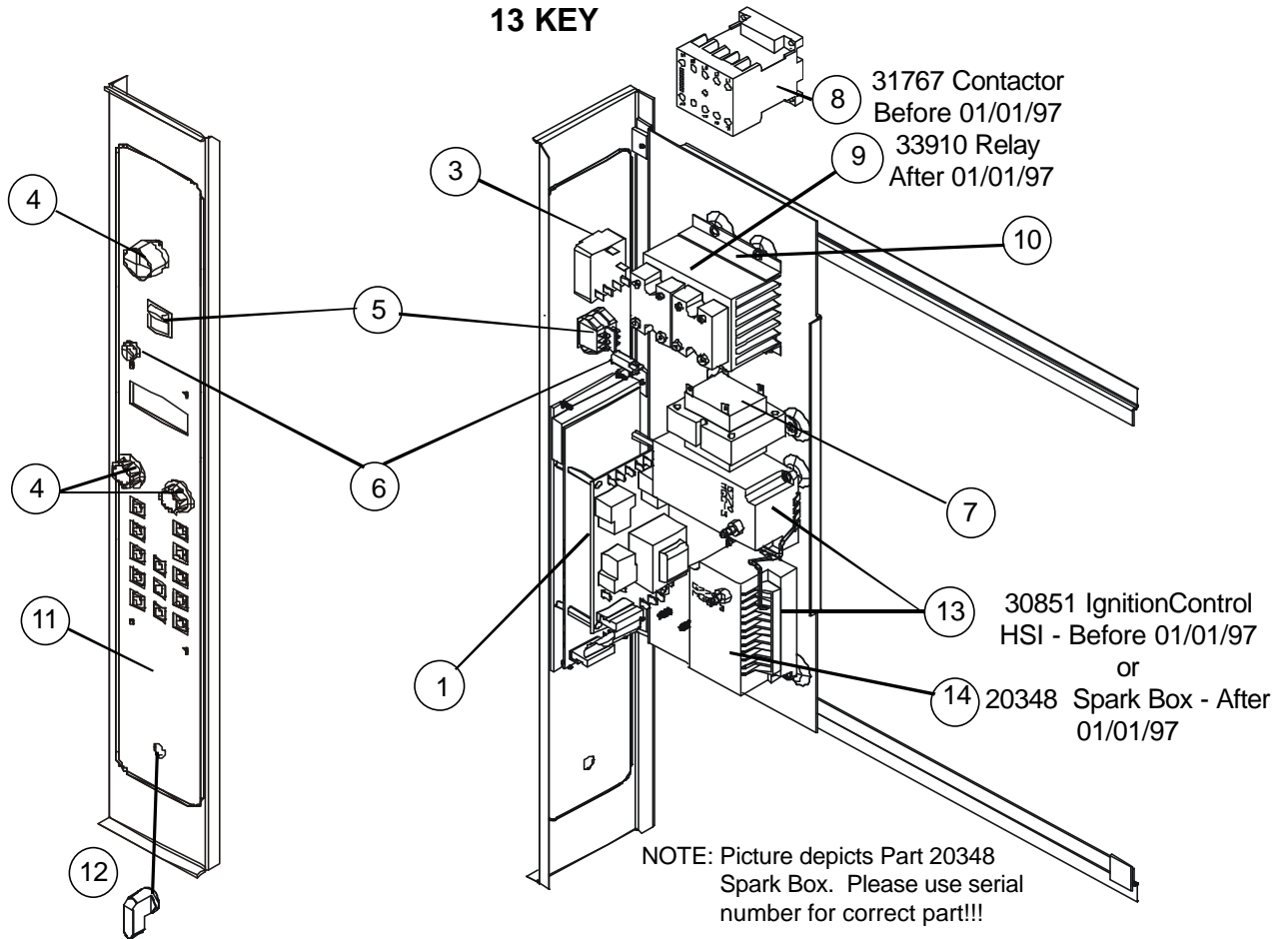
NOTE: Picture depicts Part 20348  
Spark Box. Please use  
serial number for correct  
part!!!

Ref. No.	Part No.	Description
1	30658	Controller, Time & Temperature (Qty 1)
1	FW529	Controller, Reconditioned
	30712	Probe, Temperature (Qty 1)
2	24685	Knob, Adjust Temperature (Qty 1)
3	21068	Mode Selector Switch (4 Position) (Qty 1)
4	24684	Knob, Mode Selector (Qty 1)
5	19620	Light Switch, Rocker (Momentary) (Qty 1)
	36755	Thermal Switch SPDT, Units after 06/01/2003
6	31274	Transformer, 120V to 24V (Units before 01/01/97 use Qty 2 and Units after 01/01/97 use Qty 1)
7	31767	Contactor, 3 Pole, 120V Coil (Qty 1) Units before 01/01/97
8	33910	Relay Assy (Qty 1) Units after 01/01/97
9	31363	Bracket, to mount 31767 (Qty 1)
	31717	Suppressor Assy (Qty 1) (for 31767)
	30720	Harness, Wiring Control (Qty 1)
	31761	Harness, Wiring Lights (Qty 1)
10	31921	Control Panel & Decal (w/o Lights) (Qty 1)
11	31920	Control Panel & Decal (w/ Lights) (Qty 1)
12	30851	Ignition Control, Hot Surface Ignition Units before 01/01/97
13	20348	Spark Box Units after 01/01/97
14	R0364	Knob, Square D, controls manual gas valve
	R4435	Gas Valve, manual

**NOTE:** Gas valves are pictured on page 3

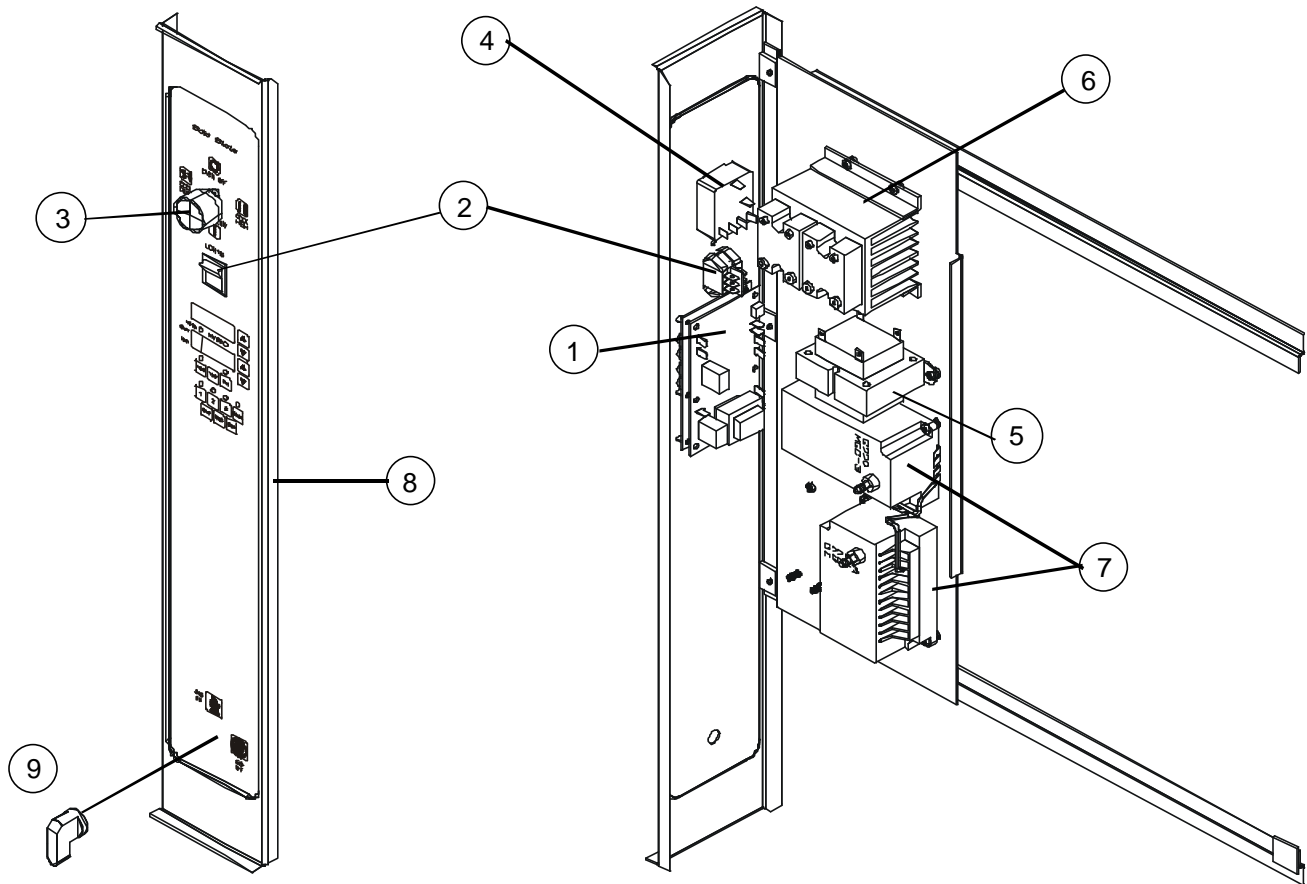
# INTELLIPLUS CONTROLS

## 13 KEY

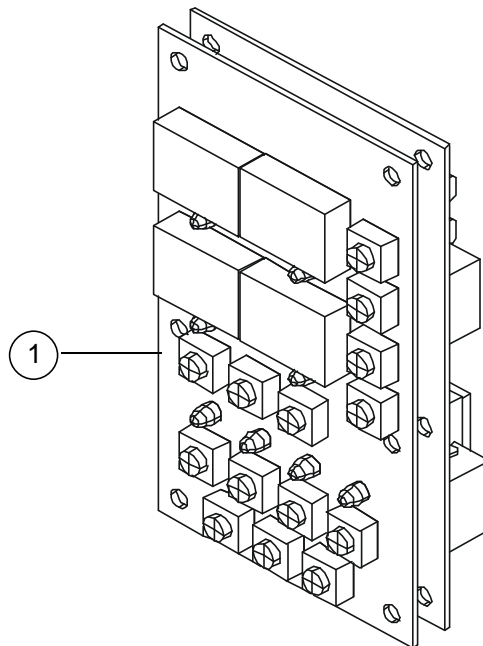


Ref. No.	Part No.	Description
1	23391	Controller, Temperature Intelliplus (13 Key) (Qty 1)
	31901	Probe, Temperature (Qty 1)
2	21443	Knob, Control Time or Temperature (Qty 2)
3	18868	Mode Selector Switch (3 Position) (Qty 1)
4	24684	Knob, Mode Selector (Qty 1)
5	19620	Light Switch, Rocker, Momentary (Qty 1)
6	18265	Indicator Light, 28V, Red, Round (Qty 1)
7	31274	Transformer, 120V to 24V (Units before 01/01/97 use Qty 2 and Units after 01/01/97 use Qty 1)
8	31767	Contactor, 3 Pole, 120V Coil (Qty 1) Units before 01/01/97
9	33910	Relay Assy (Qty. 1) Units after 01/01/97
10	31363	Bracket, to mount 31767 (Qty 1)
	31717	Suppressor Assy. (Qty 1) (for 31767)
	31761	Harness, Wiring Lights (Qty 1)
	34281	Harness, Wiring front Intelliplus Units after 01/01/97
11	34254	Decal, Lexan Control
12	R0364	Knob, Square D, controls manual gas valve
	R4435	Gas Valve, manual Units before 01/01/97
	R6490	Pilot Valve Units after 01/01/97
<b>NOTE:</b> Gas valves are pictured on page 3		
13	30851	Ignition Control, Hot Surface Ignition Units before 01/01/97
14	20348	Spark Box Units after 01/01/97

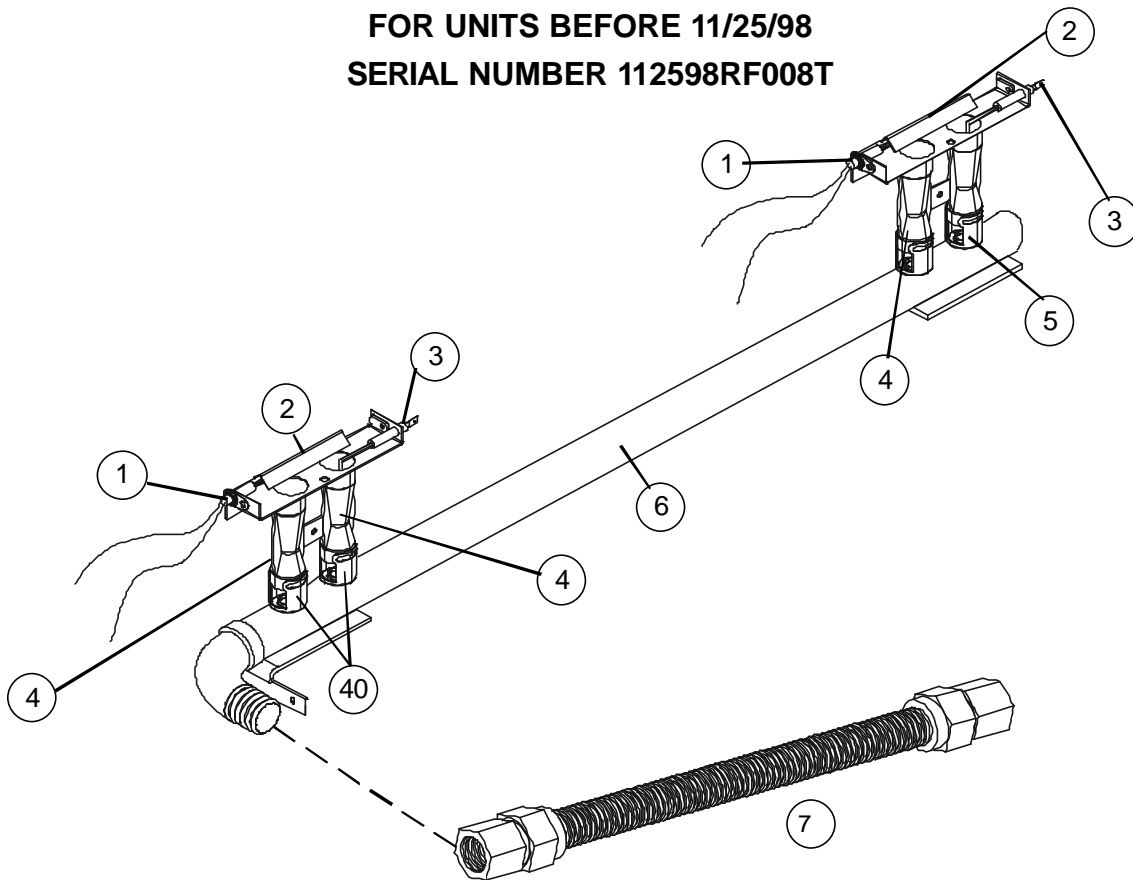
### CH102 FAST CONTROLS (WITH LIGHTS) 14 KEY



Ref. No.	Part No.	Description
1	37087	Controller, CH102 (14 Key)
	34472	Probe, RTD 12"
2	19620	Light Switch, Rocker, DPST, Momentary
3	24685	Knob, Adjust (Qty 1)
4	21068	Mode Selector Switch (4 Position) (Qty 1)
5	31274	Transformer, 120V to 24V (Qty 1)
	36755	Thermal Switch SPDT, Units after 06/01/2003
6	33910	Relay Assy (Qty 1)
7	20348	Spark Box Assy, Nat & LP (Qty 2)
	34689	Capacitor Assy, Snubber CH102 control
	35187	Jumper Wires, Rear connecting CH102 control
	34406	Harness, Wiring Control
	31761	Harness, Wiring Lights
	34453	EMI Filter CH102 control
	24623	RFI Filter CH102 control
8	36056	Control Panel & Decal Assy, CH102
9	R0364	Knob, Square D, controls manual gas valve



**GAS MANIFOLD ASSEMBLY  
FOR UNITS BEFORE 11/25/98  
SERIAL NUMBER 112598RF008T**



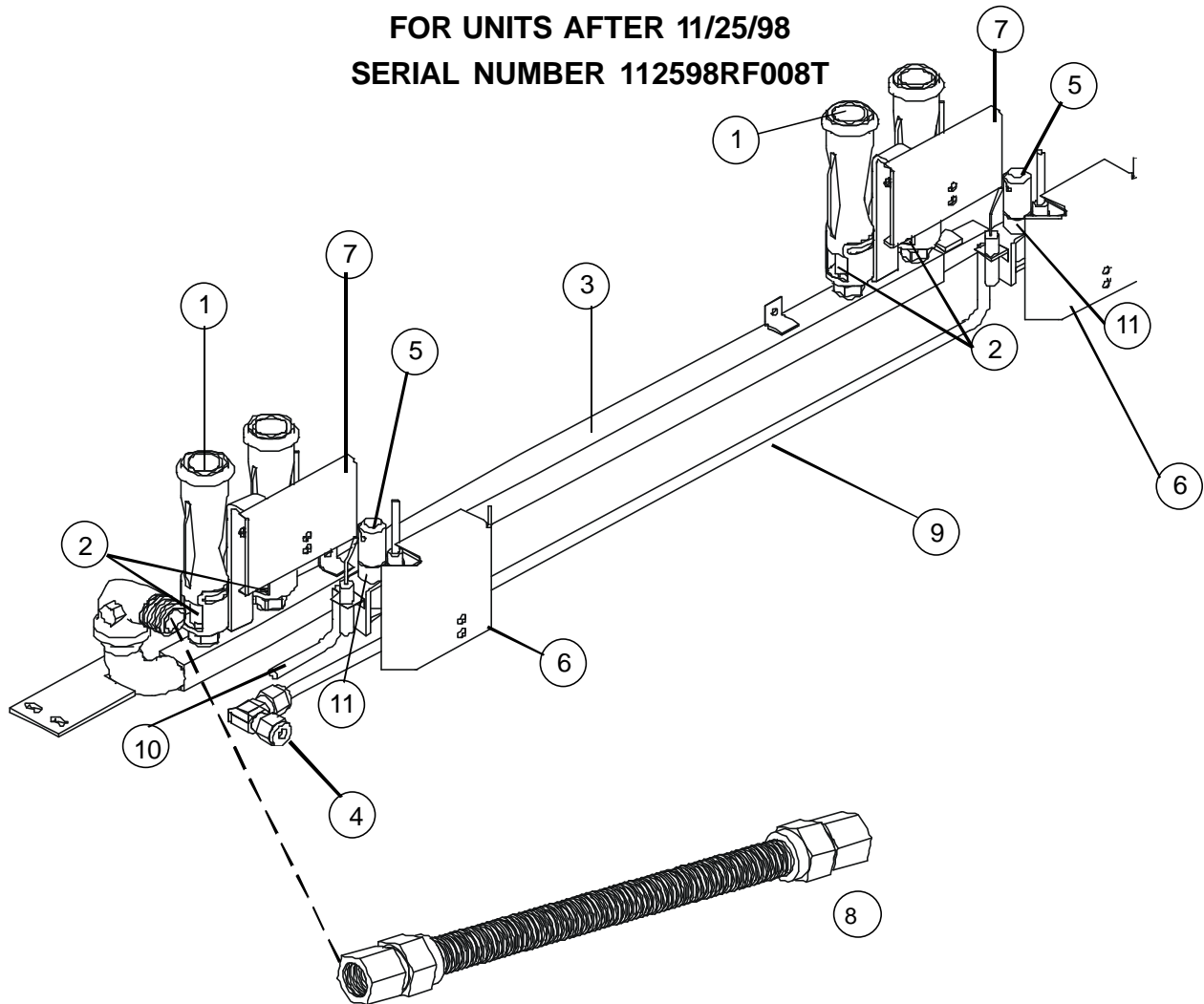
<u>Ref. No.</u>	<u>Part No.</u>	<u>Description</u>
1	31022	Ignitor, Hot Surface (Qty 2)
2	30774	Bracket Assy, Ignitor (Qty 2)
3	31331	Probe, Flame Sensing (Qty 2)
4	30722	Burner Assy. (Qty 2)
5	30943	Orifice, Main Burner, Nat (MTD #46) (Qty 4)
5	31828	Orifice, Main Burner, LP (MTD #55) (Qty 4)
6	30713	Manifold, Burner (Qty 1)
	30958	Manifold Assy, Nat (w/ Harness) (Qty 1) Complete assy as shown above
	31829	Manifold Assy, LP (w/ Harness) (Qty 1) Complete assy as shown above
7	30957	Flex Hose, 1/2" ID (Gas) (Qty 1)
	33052	Relay & Hardware 24V, for Gas sytem shutoff
	33051	Relay & Hardware 240V, for Gas system shutoff

<u>Ref. No.</u>	<u>Part No.</u>	<u>Description</u>
-----------------	-----------------	--------------------

*NOTE: Hot Surface Ignition is standard on units before 01/01/97, however the manifold changes did not occur until 11/24/98. PLEASE BE SURE TO HAVE SERIAL NUMBER when ordering ANY gas components*



**GAS MANIFOLD ASSEMBLY  
FOR UNITS AFTER 11/25/98  
SERIAL NUMBER 112598RF008T**

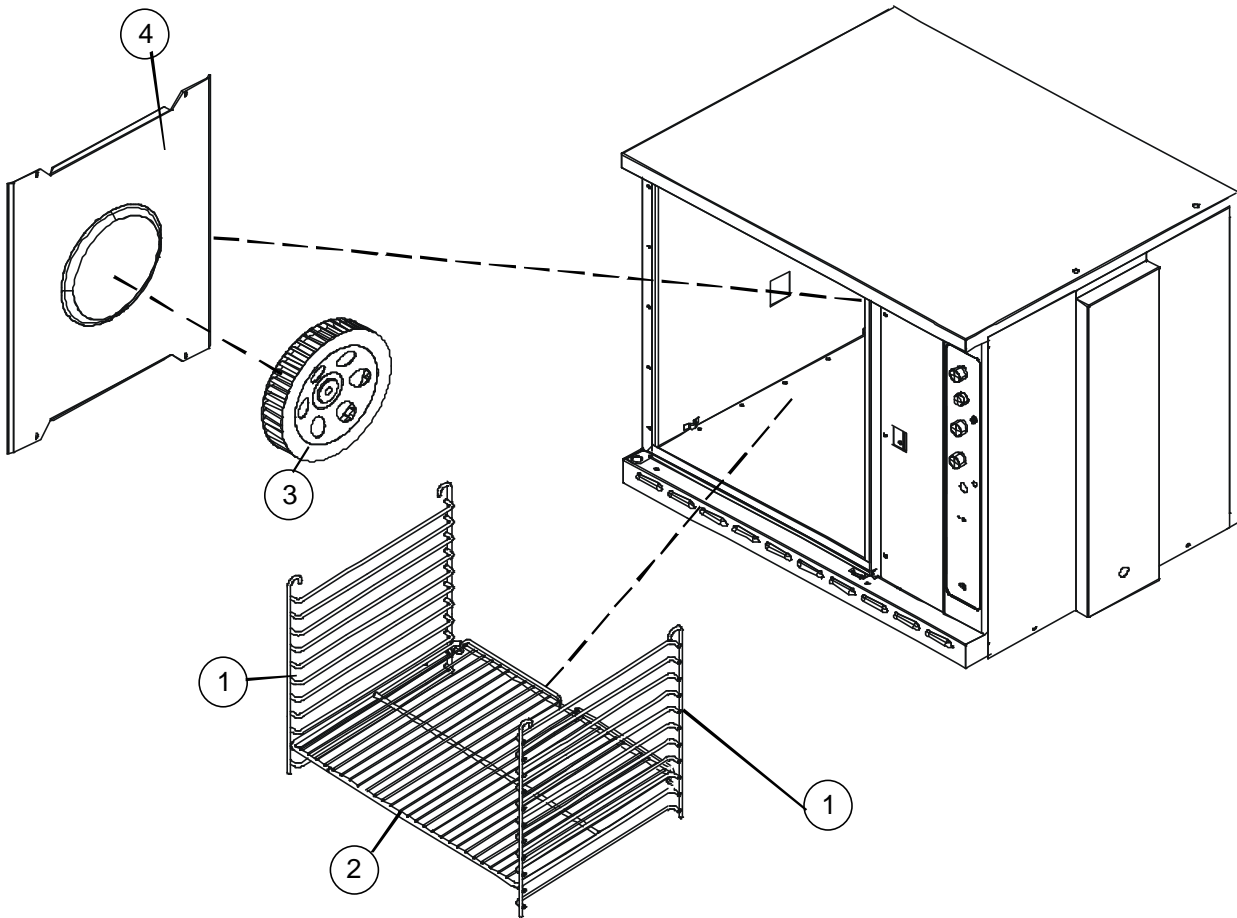


<u>Ref. No.</u>	<u>Part No.</u>	<u>Description</u>
1	30722	Burner Assy (Qty 2)
2	30943	Orifice, Main Burner, Nat (MTD #46) (Qty 4)
2	31828	Orifice, Main Burner, LP (MTD #55) (Qty 4)
3	33860	Manifold, Burner Units after 11/25/98
	30713	Manifold, Burner Units before 11/25/98
<b>NOTE:</b>		See picture on page 8
	31604	Harness, Wiring Manifold (Qty 1) Units after 11/25/98
	33552	Manifold Assy, Nat (w/ Harness) (Qty 1) Units after 11/25/98
	33553	Manifold Assy, LP (w/ Harness) (Qty 1) Units after 11/25/98
4	M2799	Elbow, Union Compression
5	34282	Pilot Ignitor Assy (Qty 2)
6	33536	Pilot Shield
7	33537	Bracket, Pilot Shield
8	30957	Flex Hose, 1/2" ID (Gas) (Qty 1)
9	33837	Tubing, Flex 24" (Qty 1)
10	33488	Tubing, Flex 12" (Qty 1)
11	M0697	Pilot Orifice Nat (Qty 2)
11	M2690	Pilot Orifice LP (Qty 2)

<u>Ref. No.</u>	<u>Part No.</u>	<u>Description</u>
-----------------	-----------------	--------------------

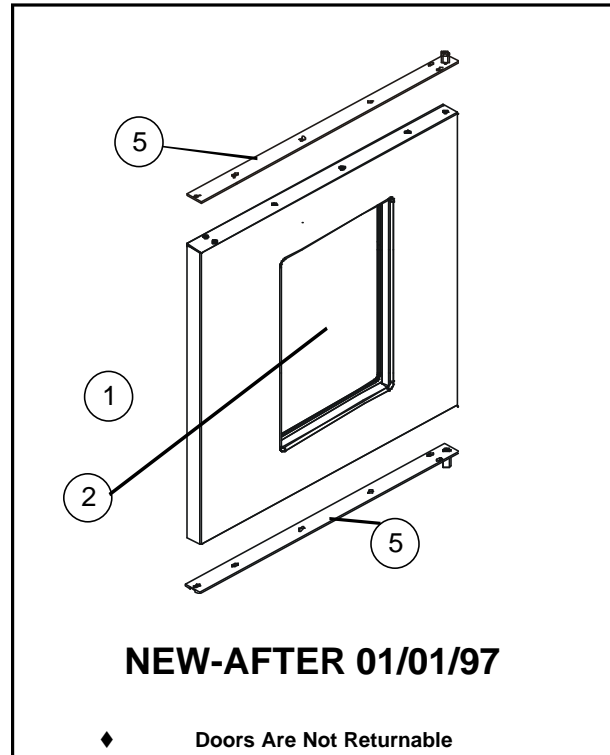
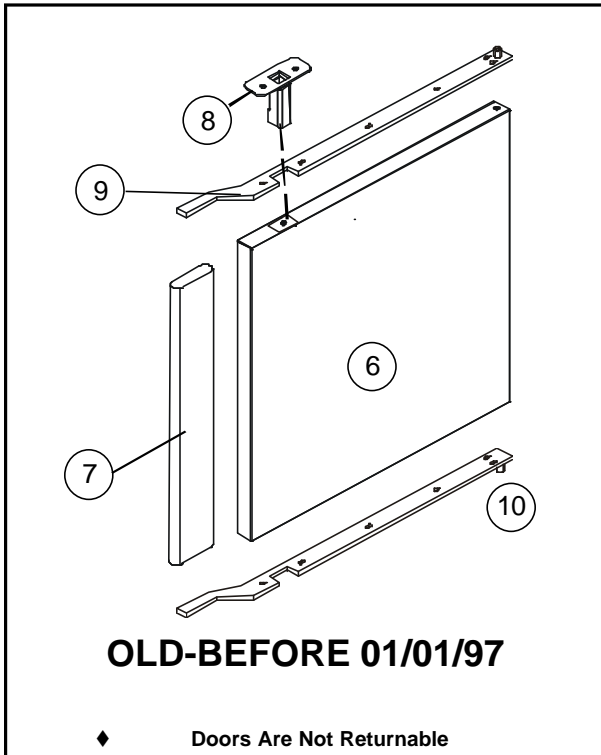
**NOTE:** Direct Spark is standard on units after 01/01/97, however the manifold changes did not occur until 11/24/98. PLEASE BE SURE TO HAVE SERIAL NUMBER when ordering ANY gas components.

INTERIOR VIEW



<b>Ref. No.</b>	<b>Part No.</b>	<b>Description</b>
	30988	Retainer, Probe Wire (Qty 2)
1	30677	Rack Support (Qty 2)
2	30676	Rack, Wire (27-3/8" x 23-5/16") (Each)
3	30649	Blower Wheel (Qty 1)
4	30695	Baffle Assy., Interior Porcelain (Qty 1)
	30694	Support Assy., Baffle (Qty 4)
	31741	Bulb, Light 25W, 120V, (Qty 2)
	31836	Socket Assy., Light (Qty 2)
	31837	Reflector Assy., Light (Qty 2)
	31763	Lens, Cover Light (Qty 2)

**DOOR COMPONENTS-SINGLE DOOR OPTION**



**Ref. Part**  
**No. No. Description**

AFTER JANUARY 01, 1997

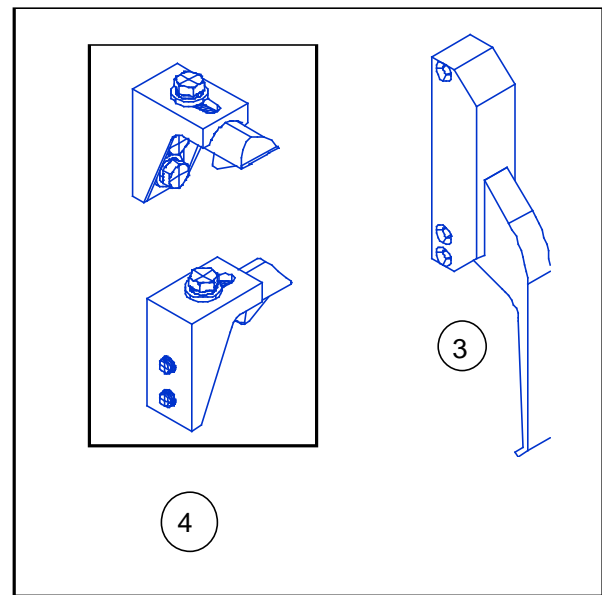
- ◆ 33933 Door Assy, Solid (Qty 1)
- 1 ◆ 33886 Door Assy, Glass (Qty 1)
- 2 31704 Glass Assy, Door (14" x 20") (Qty 1)
- 3 R6313 Handle
- 4 R2296 Catch & Latch Assy
- 20734 Microswitch Assy, Pictured on page 12
- 33907 Bracket, Door Switch
- 5 30761 Arm, Door Upper &/or Lower (Qty 2)
- 31919 Gasket Assy, Perimeter Door (4 Piece) (Qty 1)  
Pictured on page 12
- 16470 Nameplate Assy., Blodgett 10" (Qty 1)

BEFORE JANUARY 01, 1997

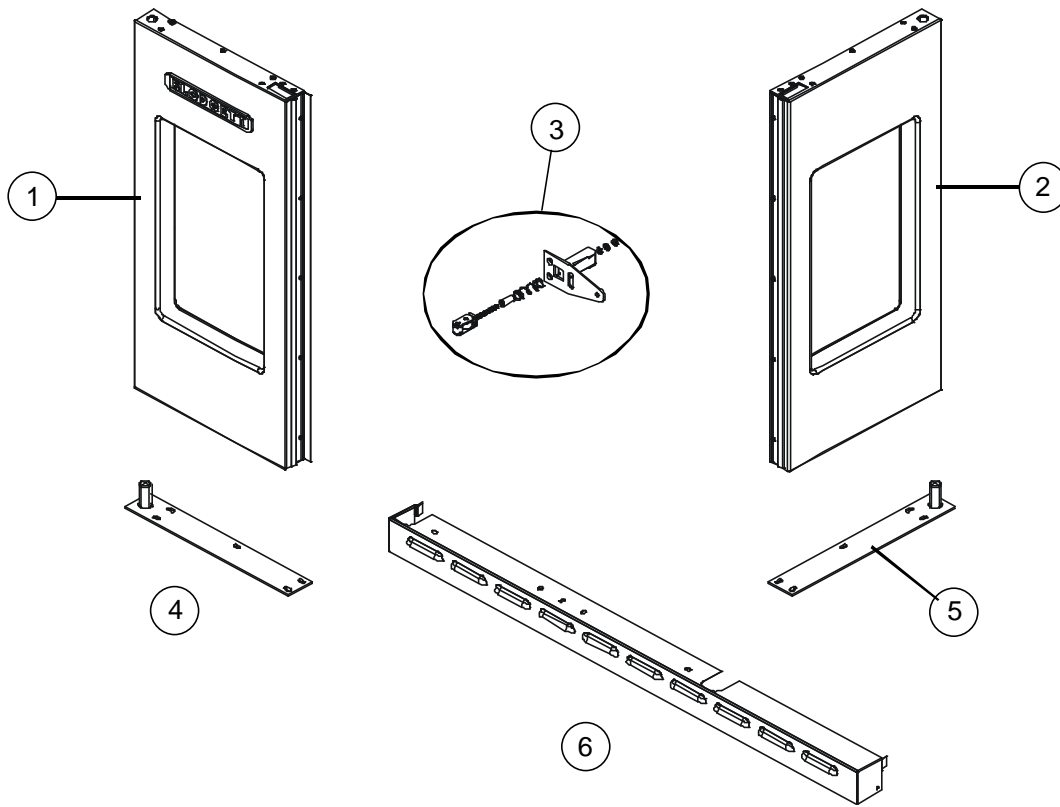
- 6 ◆ 30770 Door Assy, Sld (Qty 1)
- ◆ 31770 Door Assy, GlS (Qty 1)
- 2 31704 Glass Assy, Door (14" x 20") (Qty 1)
- 7 30680 Handle, Door (Qty 1)
- 8 17946 Catch Assy, Door (Qty 2)

**NOTE:** One is located on the top of the door and the other is located on the bottom of the door

- 31206 Plate, Striker Door Latch (Qty 2)
- 31240 Microswitch Assy, Door Pictured on page 12
- 30940 Bracket, Door Switch (Qty 1)
- 9 35883 Arm, Door Upper (Qty 1)
- 10 35884 Arm, Door Lower (Qty 1)
- 90004 Bushings, Door Hinge (Set of 2)
- 31772 Cam Assy, Door Switch (Qty 1)
- 31919 Gasket Assy, Perimeter Door (4 Piece) (Qty 1)  
Pictured on page 12
- 16470 Nameplate Assy., Blodgett 10" (Qty 1)
- 31747 Decal, Logo "The Achiever" (Qty 1)

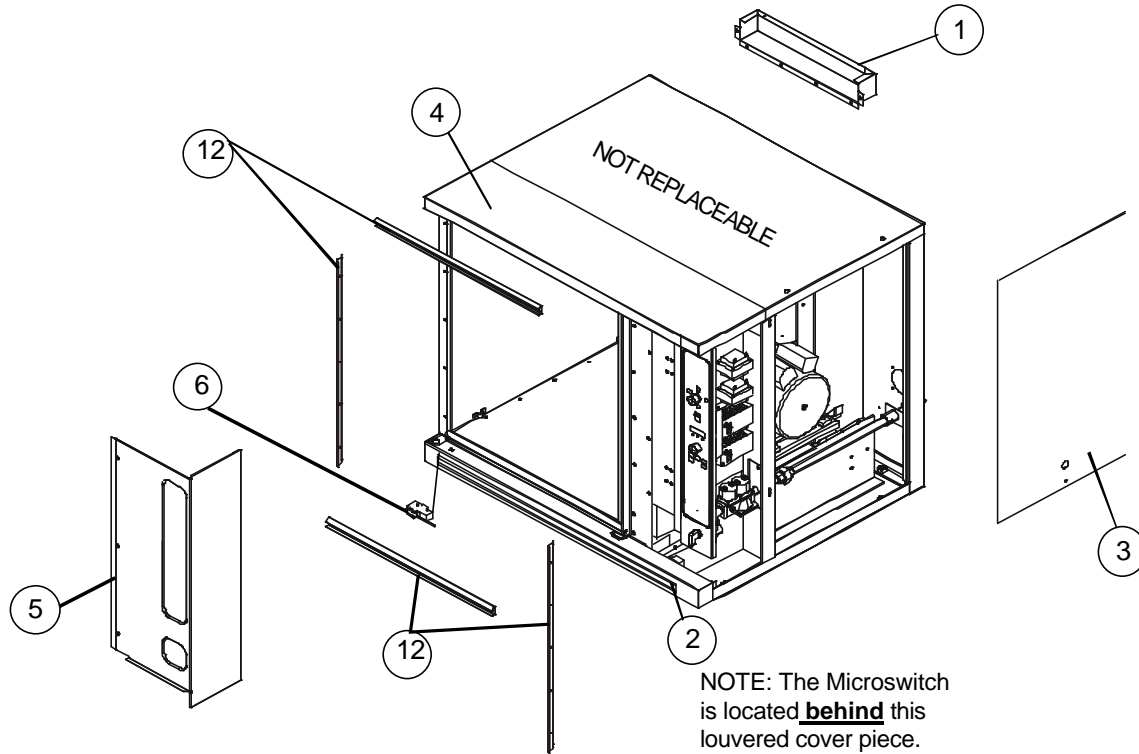


**DOOR COMPONENTS  
SPECIFIC TO DOUBLE DOOR OPTION**

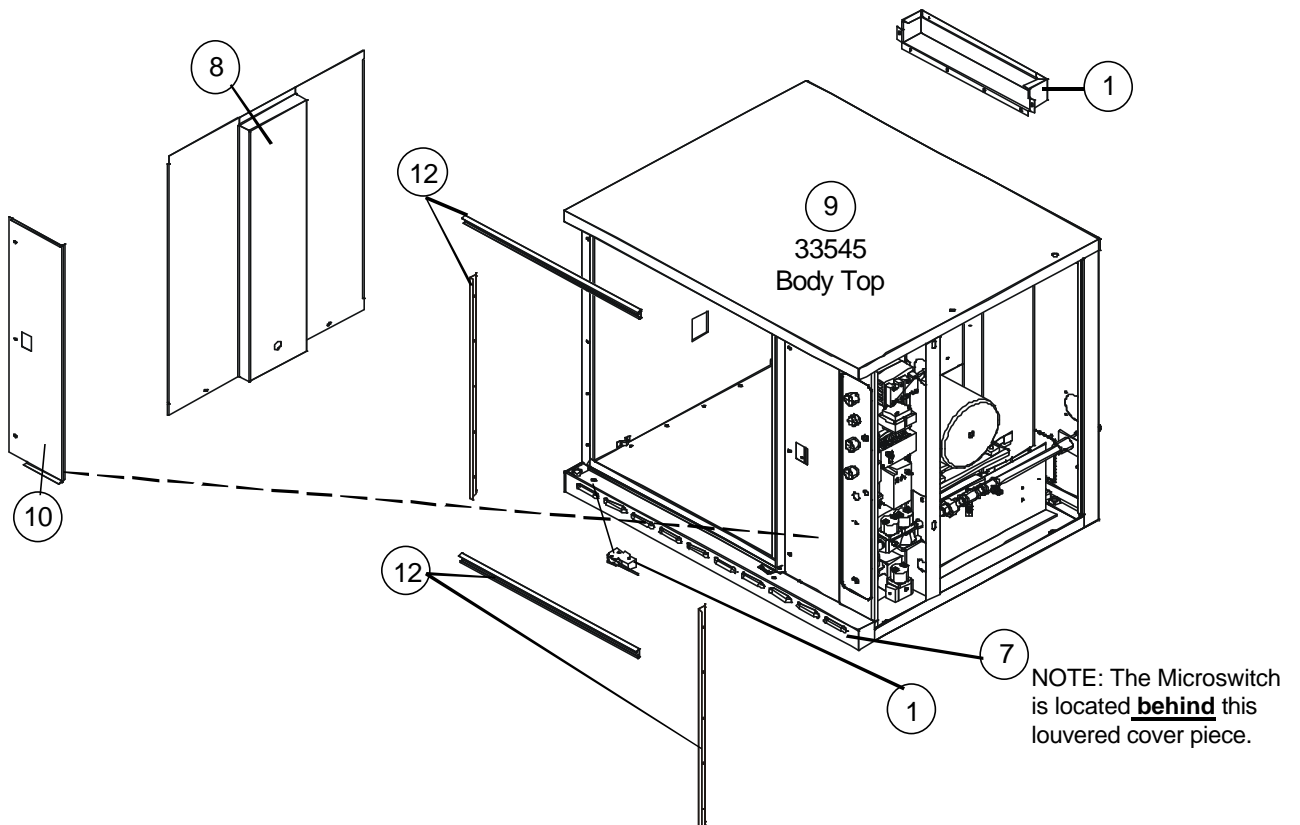


<u>Ref. No.</u>	<u>Part No.</u>	<u>Description</u>
1	◆ 31721	Door Assy, LH Glass (Qty 1)
2	◆ 36113	Door Assy, RH Glass (Qty 1)
3	31753	Catch Assy, Door
	31723	Striker Plate, for Catch Assy.
4	31751	Door Arm Assy, LH
5	31752	Door Arm Assy, RH
6	36098	Combustion Compt. Cover
	37305	Microswitch Assy
	31772	Cam Assy, Switch
	36118	Handle Assy, Qty 2
	31919	Gasket Assy, Perimeter
	37304	Gasket Assy, Center

### EXTERIOR VIEW "OLD STYLE" BEFORE 01/01/97



### EXTERIOR VIEW "NEW STYLE" AFTER 01/01/97



**EXTERIOR OVEN COMPONENTS****SEE PICTURES ON PAGE 13**

<b>Ref. No.</b>	<b>Part No.</b>	<b>Description</b>
	7839	Drafhood, Direct Venting, S/S (Qty 1)
	7840	Draft Diverter, Canopy Venting, S/S (Qty 1)
1	30986	Flue Box, Sgl Oven (Qty 1)
12	31919	Gasket Assy, Perimeter
	33461	Vent Assy, Complete
	21826	Installation Hose, 36"
	21242	Installation Hose, 48"
	31595	Cord Set Assy, 6 Feet (Qty 1)
	8598	Legs, 25" w/ Bolts, S/S (Set of 4)
	92000	Studs, Leg (Set of 4)
	7847	Bolts, Leg (Set of 8)
	32215	Open Stand w/ Feet, S/S
	32216	Open Stand w/ Casters, S/S
	31679	Backpipe Assy, Dbl (Qty 1)
	16002	Casters (Sgl Oven) (Set of 4)
	19528	Casters, Low Profile (Dbl Oven) (Set of 4)
	33425	Casters, Adjustable Low Profile (Dbl Oven) (Set of 4)

**BEFORE JANUARY 01, 1997, SEE PICTURES ON PAGE 12**

2	30975	Cover Assy, Combustion Compartment (Qty 1)
3	30971	Body Side, RH S/S (Qty 1)
4	30974	Body Top, Front (Qty 1)
	30967	Body Back, S/S (Qty 1)
5	30718	Cover, Control (Qty 1)
6	31240	Microswitch Assy, Door (Qty 1)
		Units before 01/01/97

**AFTER JANUARY 01, 1997, SEE PICTURES ON PAGE 12**

7	33546	Cover Assy, Combustion Compartment (Qty 1)
8	33891	Body Side, RH S/S (Qty 1)
9	33545	Body Top (Qty 1)
10	33887	Panel, Front Trim
11	20734	Microswitch Assy, Door (Qty 1)
		Units after 01/01/97

**EXCLUSIVE TO EXPORT****NOTES**

<u>Ref. No.</u>	<u>Part No.</u>	<u>Description</u>
	32241	Motor, 240V, 2 SP, 50/60 HZ
	M2453	Switch, Thermal High Limit (Qty 1) Units before 01/01/97
	32237	Bulb, Light 25W, 230-240V (Qty 2) CE
	16037	Indicator Light, 250V, Red, Round (Qty 1) CE
	20084	Timer, 60 Minute, 240V, 50 HZ (Qty 1) CE
	18581	Timer, Adjustable, 240V (Qty 1) CE
	18439	Potentiometer, Control (Humidaire) CE (Qty 1)
	32230	Switch, Momentary (Lighted) CE (Qty 1) or (Qty 2)
	32231	Switch, Momentary (Qty 1) CE
	32277	Contactactor, 3 Pole, 230V Coil (Qty 1) CE
	20350	Buzzer, 240V (Qty 1) CE
	32258	Harness, Wiring Rear Humidaire (Qty 1) CE
	32243	Harness, Wiring Front Humidaire (Qty 1) CE
	32233	Harness, Wiring Front (Qty 1) CE
	32992	Harness, Wiring Rear CE
	R4435	Gas Valve, Manual 1/2" (Qty 1) CE
	32236	Gas Valve, Honeywell 240V (Qty 1) CE
	32282	Thru Pipe Assy (Qty 1) CE
	32306	Switch Assy, Pressure (Qty 1) CE
	M3330	Switch, Pressure (Netherlands) (Qty 1) CE
	32234	Manifold Assy, Nat (Qty 1) CE
	32327	Manifold Assy, LP (Qty 1) CE
	32206	Control, Hot Surface Ignitor (Qty 2) CE
	32242	Ignitor, Hot Surface (Qty 2) CE
	32290	Thru Pipe & Nozzle Assy., Steam (Qty 1) CE
	32238	Nozzle Assy, Humidaire 230V (Qty 1) CE
	32305	Bracket, Vacuum Pipe (Qty 1) CE
	32307	Pipe, Vacuum 9.75" (Qty 1) CE
	32308	Pipe, Vacuum 8.0" (Qty 1) CE
	M2841	Fitting, Pressure Tap (Qty 1) CE
	32212	Decal, Lexan Control (Infinite & Humidaire) (Qty 1) CE
	32295	Decal, Lexan Control (Infinite) (Qty 1) CE

